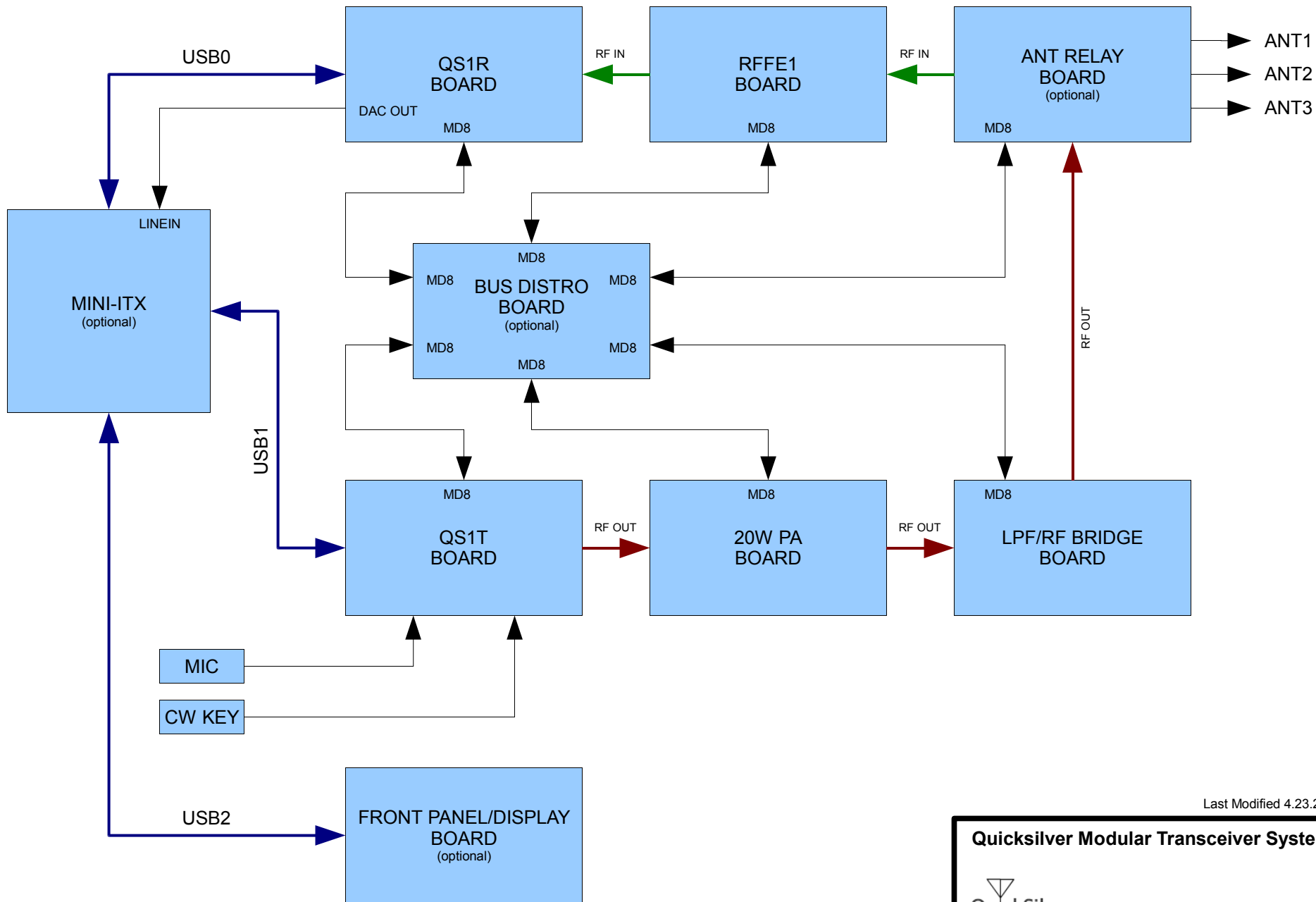



# FULL STAND ALONE TRANSCEIVER CONFIGURATION



Last Modified 4.23.2009

**Quicksilver Modular Transceiver System**



COPYRIGHT © 2009 SRL-LLC